

Piezosignalgeber RMP-28SW01-PT Art.-Nr. 185515

Specification:

TYPE	UNIT	RMP-28SW01-PT
• Min. Sound Output at 30cm	dB	70
Rated Voltage	VDC	1.5
Operating Voltage	VDC	1~3
Resonant Frequency	Hz	2800±100
• Max. Current Consumption	mA	20
Tone		Pulse
Puls Rate at Rated Voltage	Pulse/Sec	2-7
Operating Temperature	°C	-20~+70
Storage Temperature	°C	-30~+70
Weight	g	10

- Value applying at rated voltage

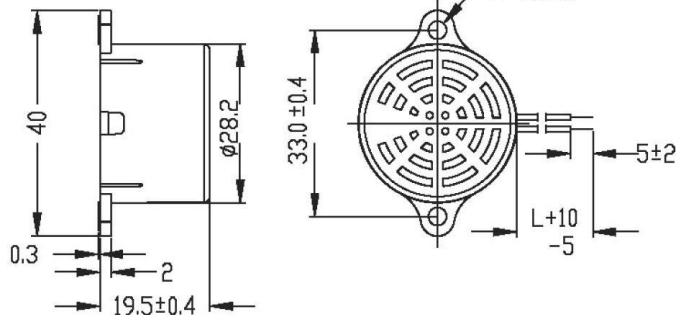
Dimensions:

(Unit: mm)

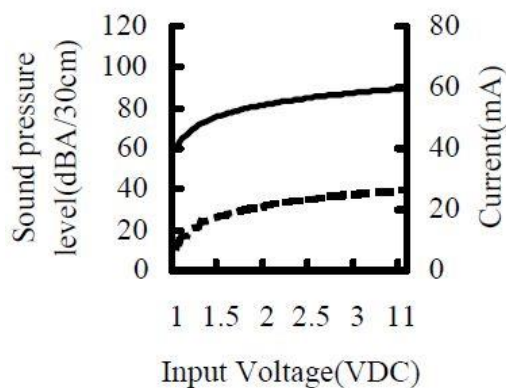
Wire: UL 1007 #28

AWG 28

LEAD TYPE



Frequency response:



Version 1 / 10/2021